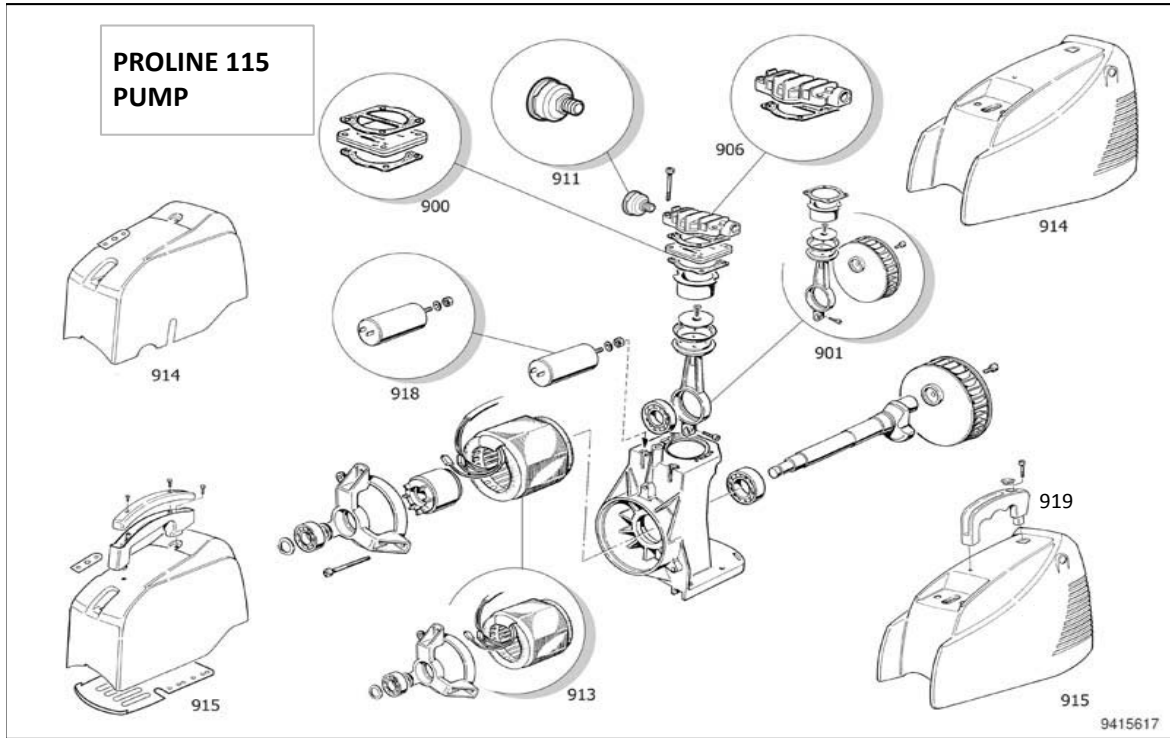


Item	ITW Code	Description
49	150544	PLASTIC COVER OM200 10LT
050	150869	BASE GUARD (COVER VENTO OL-OM)
101	150871	TANK 6 2004 VENTO-02
103	150549	RUBBER FOOT VENTO (0120006)
105	150550	NON RET.VAL.1/4-BIC10V (150011
106	150872	QUICK COUPLING 1/4"M (REDRING)
107	150873	TAP BALL VALVE 1/4" M
108	150551	PRESS.RED I1/4 O1/4 G1/8 STD R
109	150874	GAUGE 50 1/4 S 0-16 8BAR
109	150875	GAUGE 40 1/8 S 0-12
110	150876	SAF.VALVE 1/4" CE 8B (0160009
112	150557	ELBOW 3/8"M D.CON.10,2(0200017
113	150881	BICONE 10
127	150877	RILSAN PIPE 4/6 BLACK(0280001)
131	150878	PRESS.SW.4W 1/4" MDR1 (YELLOW)
132	150879	CORD 3X1X1300 SCHUKO (0100002)
145	150882	SEND.PIPE VENTO-02 OM 231 SIL.



Item	ITW Code	Description
1		CRANKCASE MACHINED OL200 NEW
2	150859	CYLINDER BARREL F0 D.60 OILESS
3	151096	HEAD MACHINED F1/220 AT.3/8"
4	151095	CRANKSHAFT OL200 H=80
8	150898	CONROD/PISTON WASHED OILLESS
16	150899	SEAL OILLESS NEW (1,2)
30	151071	BEARING 6205-2RS
30	150863	BEARING 6203 2Z
30	151070	BEARING 6005 2RS-SRI2 IKL
41	151072	CONROD COVER OL200 NEW
43	151073	SHIELD MACHINED OL200
44	151075	TIE ROD HE WITH/FLANGE M5X115
45	150862	SEGER 17 UNI 7436 (1,5)
46	151098	FAN OILLESS 200 WITHOUT/PIN
46	151076	FAN OILLESS 231
47	151078	ROTOR 65X22 H=80 230/50 CHN
48	151081	STATOR HP1,0 4P 230/50 H80 CHN
62	151083	GASKET VALV.PL-VALV.PL F1/OL20
62	151084	GASKET CYL-PLATE F1/300 T 0.8
64	150858	GASKET PLATE/HEAD
80	151085	CAPACITOR 12,5MF CE 450V M8D36
900	150856	KIT VALVE PLATE OL 200/231/250
901	150857	KIT CONROD OL 231
906	151088	KIT HEAD OL 231 (N/H)
913	151090	KIT STATOR OL 231 4P
914	150544	PLASTIC COVER
918	151093	KIT START CAPACITOR 12,5MFD
919	138802	HANDLE