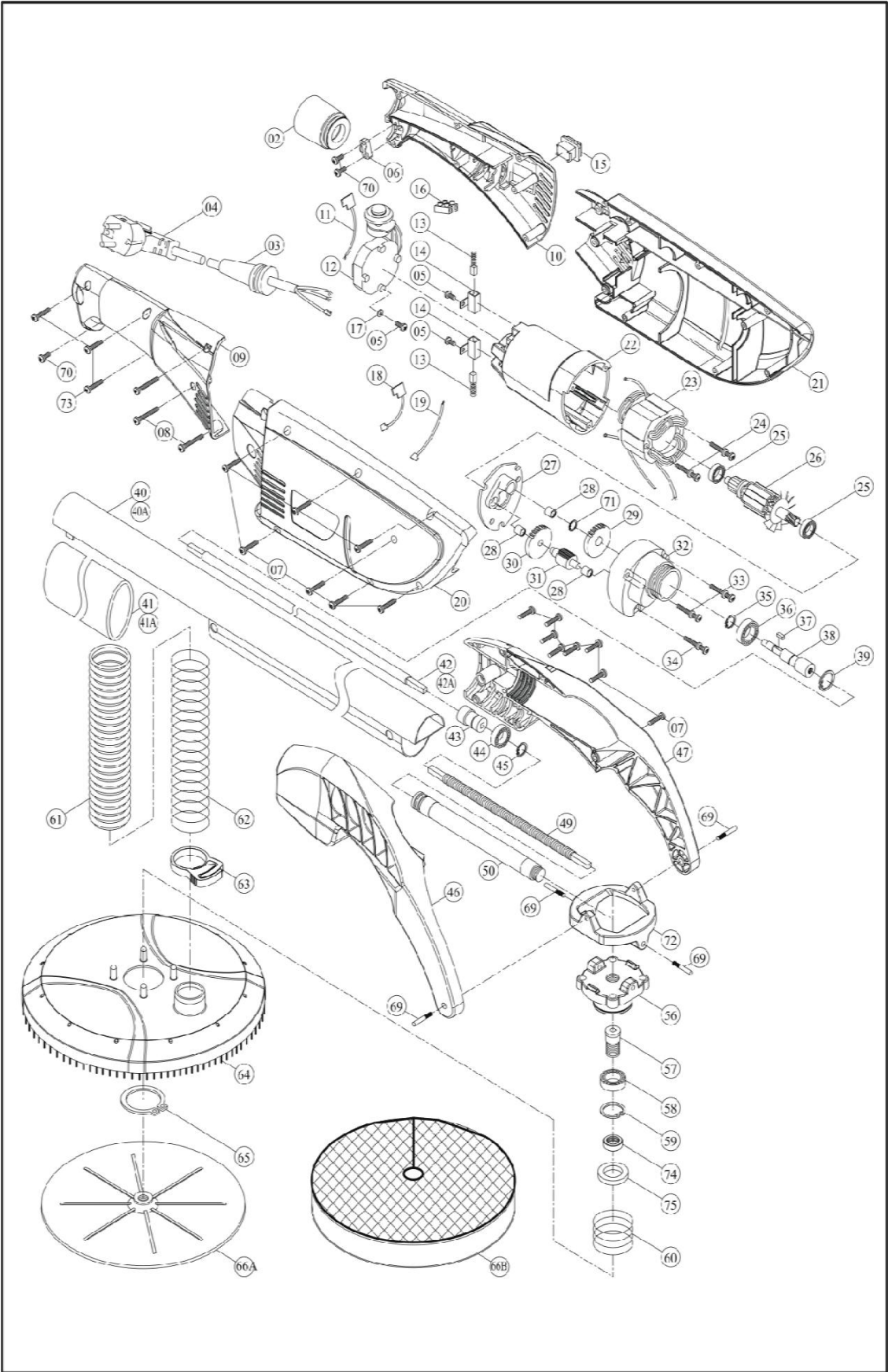


EXPLODED VIEW



SPIT DWS225

Mark plan	Spit code	Description Qty			
		SPARE PART LIST SPIT DWS225	38	624856	Spindle 1
			39	624855	Circlip 1
2	624893	Bayonet hose connector 1	40	624854	Extension column 1
3	624892	Cord armor 1	41	624853	Foam handle grip 1
4	624891	Power supply cable 1	42	624852	First drive shaft 1
5	624890	Screw 3	43	624851	Shaft connector 1
6	624889	Cable clip 1	44	624849	Ball bearing 1
7	624888	Screw 15	45	624848	Circlip 1
8	624887	Screw 3	46	624847	Right fork arm 1
9	624886	Right handle cover 1	47	624846	Left fork arm 1
10	624885	Left handle cover 1	49	624845	Flexible drive shaft 1
11	624884	Wire lead 1	50	624844	Drive shaft cover 1
12	624883	Speed control unit 1	56	624843	Sanding head pivot 1
13	624882	Carbon brush 2	57	624842	Connecting spindle 1
14	624881	Carbon brush holder 2	58	624841	Ball bearing 1
15	624880	Motor switch 1	59	624839	Circlip 1
16	624879	Wire connector 1	60	624838	Spring 1
17	624878	Flat washer 1	61	624837	Vacuum hose 1
18	624877	Wire lead 1	62	624836	Sprint 1
19	624876	Wire lead 1	63	624835	Plastic grip 1
20	624875	Right housing cover 1	64	624834	Sanding plate cover 1
21	624874	Left housing cover 1	65	624833	Circlip 1
22	624873	Motor housing 1	66A	624832	Sanding plate 1
23	624872	Stator 1	66B	624831	Hook & loop backing pad 1
24	624871	Screw 2	69	624829	Screw 4
25	624870	Ball bearing 2	70	624828	Screw 3
26	624869	Armature 1	71	624827	Circlip 1
27	624868	Gear plate 1	72	624826	Pivot bracket 1
28	624867	Bushing 3	73	624825	Screw 3
29	624866	Output gear 1	74	624824	Shaft race 1
30	624865	Intermediate gear 1	75	624823	Radial shaft seal 1
31	624864	Intermediate gear pinion 1			
32	624863	Gear case 1			
33	624862	Screw w/washer 2			
34	624861	Screw w/washer 1			
35	624859	Circlip 1			
36	624858	Ball bearing 1			
37	624857	Parallel key 1			