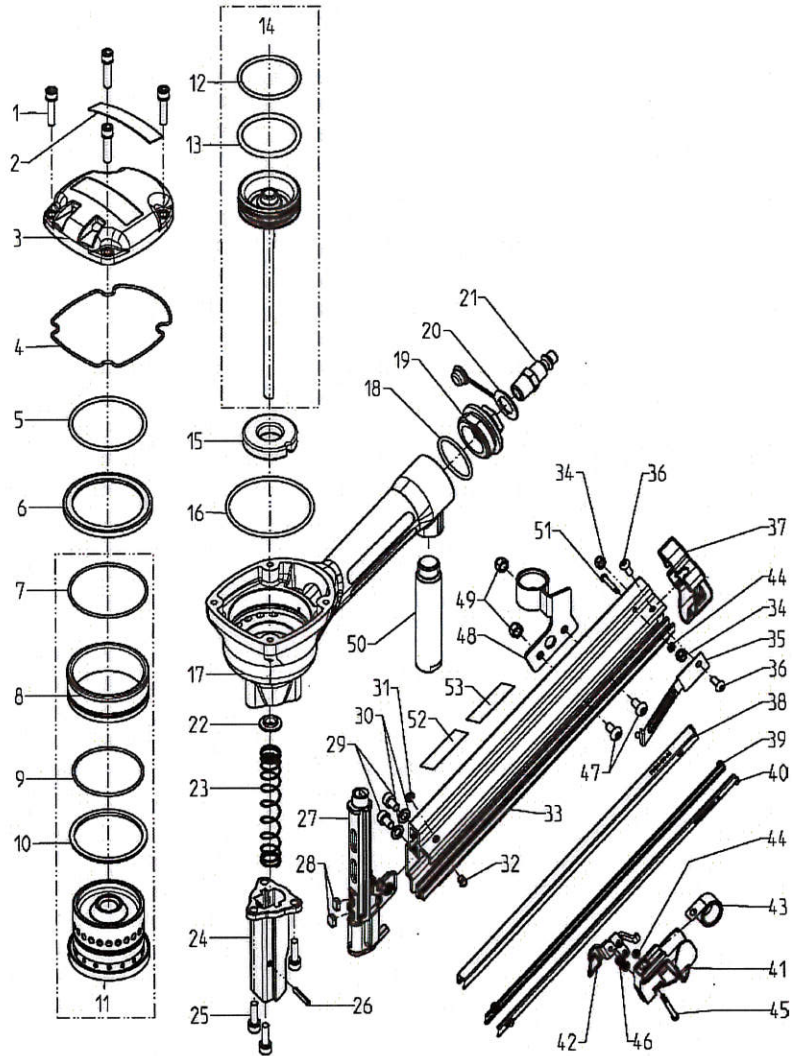




PSN50NP + PSN50NP LM



PSN50NP + PSN50NP LM

No.	Code	Name	No.	Code	Name
1	505981	BOLT ASSY	33	574371	MAGAZINE A R
2	505982	Logo Label	34	574372	MAGAZINE A PS
3	505983	CAP	34	401254	LOCK N
4	505984	CYLINDER CAP SEAL	35	574373	STOP NAIL
5	505985	O - RING	36	574374	HALF ROUND HD
6	505986	COLLAR	37	574375	PROTECTING HO
7	505987	O - RING		574376	STEEL CHANNEL
8	505988	CYLINDER SPACER	38	574377	STEEL CHANNEL
9	505989	O - RING		574378	STEEL CHANNEL
10	505990	SEAL	39	574379	STEEL CHANNEL
11	505991	CYLINDER cpl.		574380	STEEL CHANNEL
12	505992	O - RING	40	574381	STEEL CHANNEL
13	505993	O - RING	41	574382	PROTECTING HO
14	505994	PISTON cpl.	42	574383	PUSHE
15	505995	BUMPER	43	574384	SPRING PSN
16	505996	O - RING	43	574385	SPRING PSN
17	505997	GUN BODY UNIT	44	501089	URETHANE RB
18	505998	O - RING	45	574386	TRIGGER PIV
19	505999	END CAP	46	574387	STOPPER FINGE
20	571563	DUST COVER	47	574388	HALF ROUND HD
21	574360	AIR PLUG	48	574389	BRACK
22	574361	DRIVER GUIDE	49	574390	LOCK N
23	574362	SPRING	50	574391	SHAFT
24	574363	DEEP IMPACT SOCKET 1	51	574392	FIXED P
25	574364	BOLT ASSY		505908	MODEL LABEL
26	574365	SPRING PIN	52	505909	MODEL LABEL P
27	574366	NOSE PIECE	53	505302	WARNING L
28	574367	MAGNET			
29	574368	HEX.SOC.HD.BOLT			
30	574369	FLAT WASHER			
31	571584	E - RING			
32	574370	BRACKET			