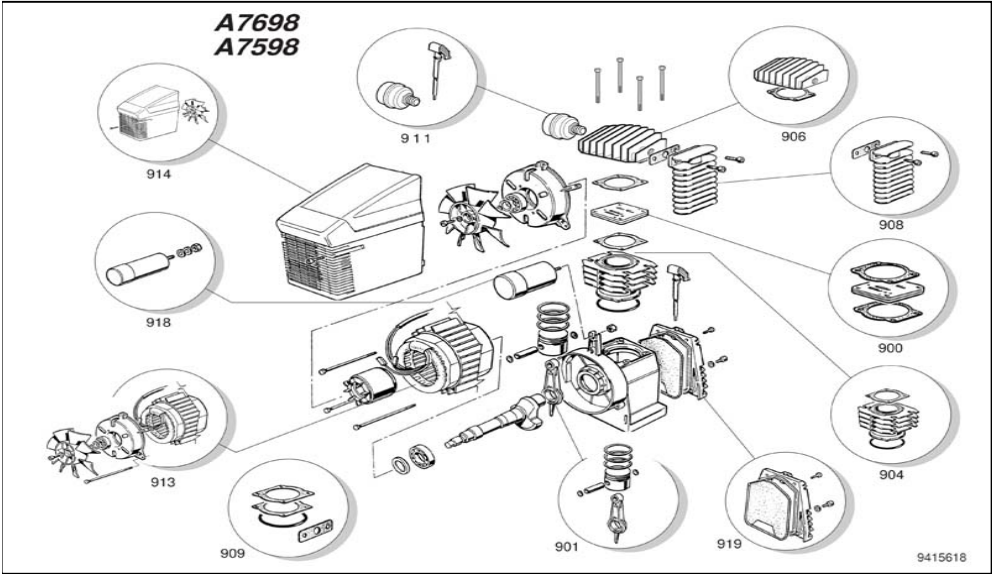


Paslode Proline 260 pump



Item	Code	Description	UM	ITW code
1	7161100	CARTER MACHINED F1	PZ	150864
1	7161190	CARTER RAW F1	PZ	#SAKNAS
2	1830000	CYLINDER CAST IRON D.53 (D4)	PZ	150861
3	7361400	HEAD MACHINED D1/245 3/8"	PZ	150860
4	7861200	CRANKSHAFT MACHINED F1/245-255	PZ	150866
16	9020017	SEAL AC 53X1,5	PZ	151300
17	9020034	SEAL ROS 53X1,5	PZ	151301
18	9020064	SEAL ROF 53X3	PZ	151302
23	7181100	FILTER FOR HEAD F1/220	PZ	150900
30	9170030	BEARING 6205 HOBBY	PZ	151303
30	9170091	BEARING 6203 2Z	PZ	150863
33	9024015	OIL PLUG WITH OR F1/221 RED	PZ	151313
33	9024022	OIL PLUG WITH OR VD32	PZ	151304
34	9163010	GASKET ANGUS 35 X 25 X 7 D3760	PZ	151305
43	6562203	SHIELD MACHINED IP23 NEW	PZ	151306
44	9011041	TIE ROD HE WITH/FLANGE M5X115	PZ	151075
45	9140160	SEEGER 17 UNI 7436 (1,5)	PZ	150862
46	9038547	FAN B940/980 D.148 METAL BUSH.	PZ	151307
47	9067454	ROTOR 65X24 H=80 B1800FL CHN	PZ	151079
48	9067453	STATOR HP2 2P M V230 H=80 CHN	PZ	151082
49	830130A	PLASTIC COVER HEAD F1	PZ	151314
49	830180A	PLASTIC COVER F0	PZ	151315
62	540300	GASKET VALV.PL-VALV.PL F1/OL20	PZ	151083
62	7350300	GASKET CYL-PLATE F1/300 T 0.8	PZ	151320
62	7950300	GASKET CYL-PLATE B1800	PZ	151084
64	6750400	GASKET PLATE/HEAD	PZ	150858
65	7150100	GASKET CARTER COVER F1/220	PZ	151308
66	1070200	GASKET AFTERCOOLER B2500	PZ	151309
80	9067023	CAPACITOR 30MF CE 450V M8 D55	PZ	151087
900	9429002	KIT VALVE PLATE OL 200/231/250	PZ	150856
901	9432011	KIT CONROD F1 260 D4	PZ	151316
904	9432041	KIT CYLINDER F1 260 D4	PZ	151317
906	9432060	KIT HEAD F1 241	PZ	150560
909	9432091	KIT PAPER GASKETS F1 260 D4	PZ	151318
911	9432110	KIT AIR FIL/OIL ROD F1/OM 241	PZ	151099
913	9432131	KIT STATOR F1 260 D4	PZ	151091
914	9432142	KIT SHROUD F1 260	PZ	151319
918	9429181	KIT START CAPACITOR 30MFD	PZ	151094
919	9432190	KIT CARTER COVER F1 241/260/31	PZ	150561