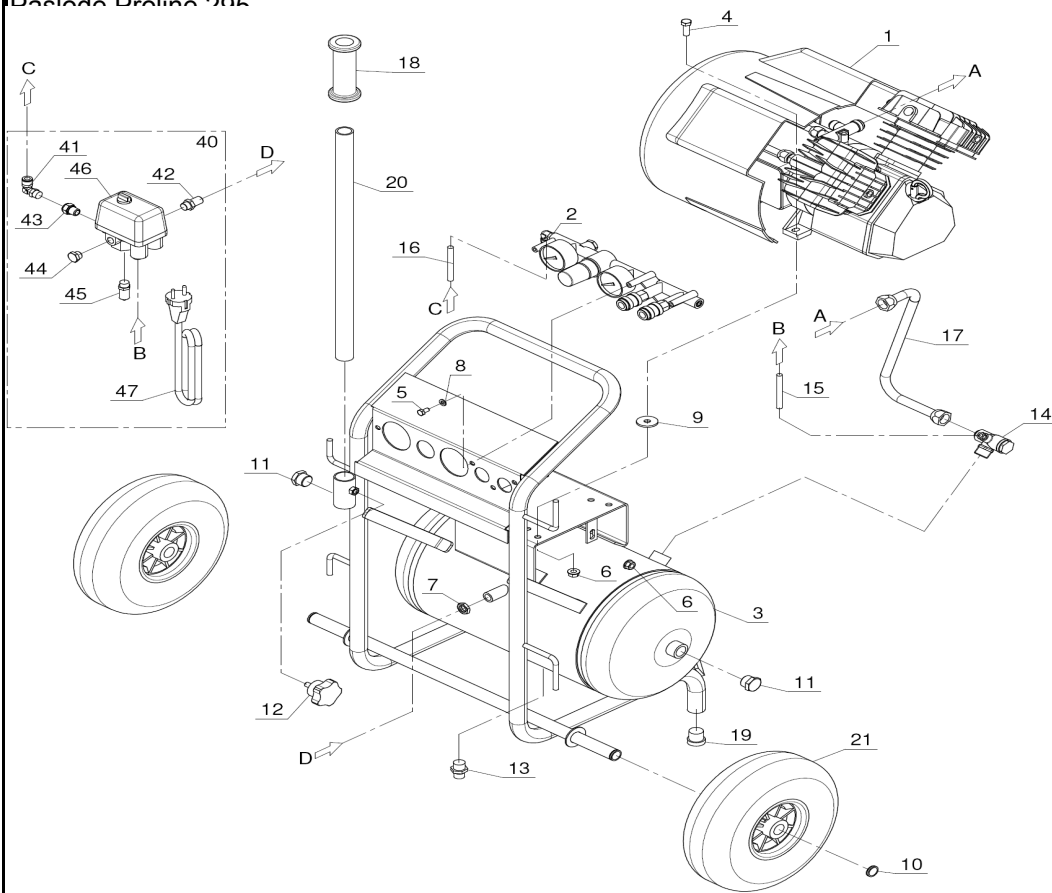


Decelero Drolino 205



REF.	CODE	QT	DESCRIPTION	REF.	ITW CODE	QT
1	2027002000	1	Pump unit <i>Gruppo pompante</i>		150827	
2	4140330000	1	Instruments support <i>Cruscotto</i>		150828	
3	5151030008	1	Tank <i>Serbatoio</i>		151475	
4	7011100000	4	Screw <i>Vite</i>		150829	
5	7011480000	4	Screw <i>Vite</i>		150830	
6	7020240000	5	Nut <i>Dado</i>		150831	
7	7023040000	1	Blocking nut <i>Controdado</i>		150786	
8	7030020000	2	Washer <i>Rondella</i>		150797	
9	7030970000	9	Rubber washer <i>Rondella in gomma</i>		150832	
10	7042020000	2	Internal snapping <i>Seeger</i>		150716	
11	7090030000	2	Plug <i>Tappo</i>		150787	
12	7101640000	1	Knob <i>Pomello</i>		150705	
13	7130160000	1	Discharge tap <i>Rubinetto spurgo</i>		150722	
14	7190190000	1	Non return valve <i>Valvola di ritegno</i>		150833	
15	7230010000	1	Rilsan hose <i>Tubo rilsan</i>		150789	
16	7230080000	1	Rilsan hose <i>Tubo rilsan</i>		150823	
17	7236360000	1	Infeed hose <i>Tubo alimentazione</i>		151476	
18	7280030000	1	Handle <i>Manopola</i>		150737	
19	7360040000	2	Rubber <i>Gommino</i>		150834	
20	7398480000	1	Handle <i>Manico</i>		150706	
21	9700000381	2	Wheel <i>Ruota</i>		150748	
40	4057250000	1	Press. Switch kit <i>Kit pressostato</i>		150835	
41	7080970000	1	Joint <i>Raccordo</i>		150822	
42	7081140000	1	Joint <i>Raccordo</i>		150793	
43	7085230000	1	Joint <i>Raccordo</i>		150794	
44	7090070000	1	Plug <i>Tappo</i>		150802	
45	7192010000	1	Safety valve <i>Valvola di sicurezza</i>		150723	
46	7250360000	1	Pressure switch <i>Pressostato</i>		150746	
47	7329070000	1	Infeed cable <i>Cavo alimentazione</i>		150795	