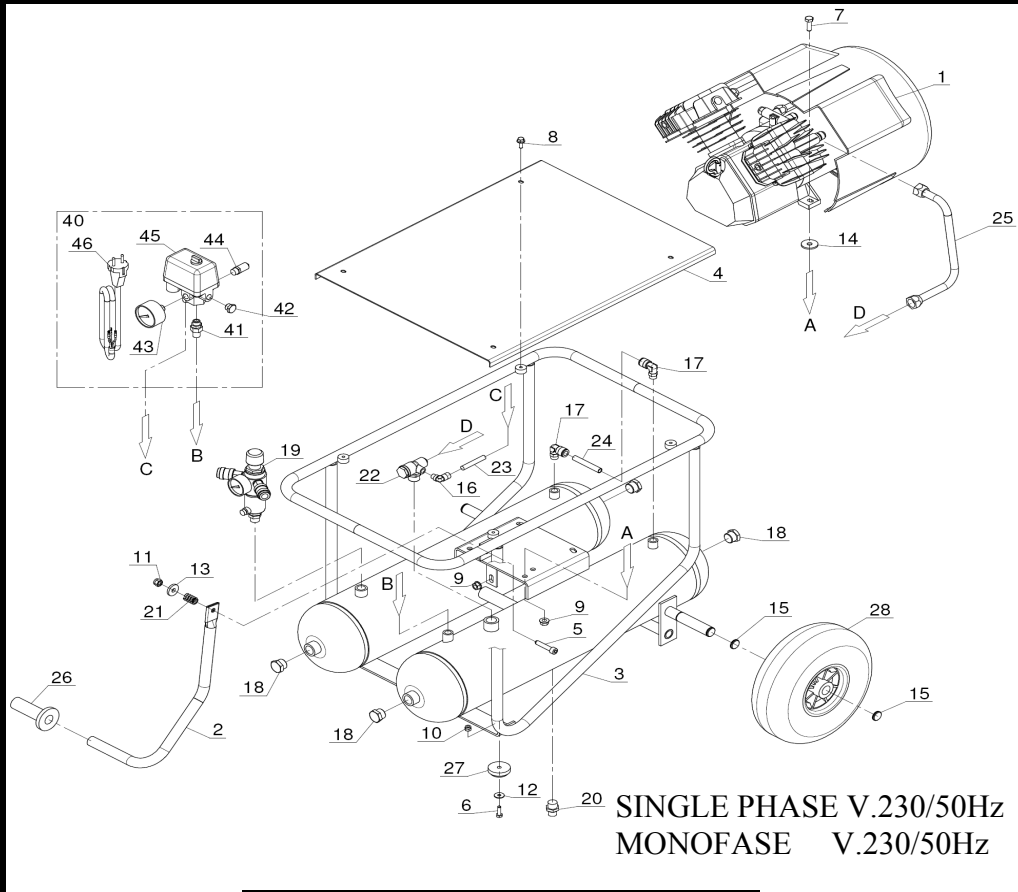


Paslode Proline 300



REF.	CODE	QT	DESCRIPTION	REF.	ITW CODE	QT
1	2027002000	1	Pump unit <i>Gruppo pompante</i>		150827	
2	5140510008	1	Handle <i>Manico</i>		150836	
3	5150830008	1	Tank <i>Serbatoio</i>		150782	
4	5167690008	1	Upper cover <i>Carena superiore</i>		150837	
5	7010070000	1	Screw <i>Vite</i>		150838	
6	7011040000	2	Screw <i>Vite</i>		150839	
7	7011100000	4	Screw <i>Vite</i>		150840	
8	7011920000	4	Screw <i>Vite</i>		150783	
9	7020240000	6,3	Nut <i>Dado</i>		150831	
10	7021010000	2	Nut <i>Dado</i>		150841	
11	7021030000	1	Nut <i>Dado</i>		150842	
12	7030190000	2	Washer <i>Rondella</i>		150843	
13	7030290000	1	Washer <i>Rondella</i>		150844	
14	7030970000	5	Washer <i>Rondella</i>		150845	
15	7040040000	4	Internal snapping <i>Seeger</i>		150846	
16	7080140000	1	Joint <i>Raccordo</i>		150847	
17	7081000000	2	Joint <i>Raccordo</i>		150848	
18	7090030000	4	Plug <i>Tappo</i>		150787	
19	7100550000	1	Pressure reducer <i>Riduttore di pressione</i>		150849	
20	7130160000	2	Discharge tap <i>Rubinetto spurgo</i>		150722	
21	7160200000	1	Spring <i>Molla</i>		150850	
22	7190090000	1	Non return valve <i>Valvola di ritegno</i>		150851	
23	7230010000	1	Rilsan hose <i>Tubo rilsan</i>		150789	
24	7230030000	1	Rilsan hose <i>Tubo rilsan</i>		150852	
25	7237141000	1	Infeed hose <i>Tubo alimentazione</i>		150853	
26	7280070000	1	Handle <i>Manopola</i>		150738	
27	7360140000	2	Rubber <i>Gommino</i>		150740	
28	9700000381	2	Wheel <i>Ruota</i>		150748	
40	4052260000	1	Press. Switch kit <i>Kit pressostato</i>		150854	
41	7082040000	1	Joint <i>Raccordo</i>		150855	
42	7090070000	1	Plug <i>Tappo</i>		150802	
43	7110300000	1	Pressure gauge <i>Manometro</i>		150734	
44	7192010000	1	Safety valve <i>Valvola di sicurezza</i>		150723	
45	7250360000	1	Pressure switch <i>Pressostato</i>		150746	
46	7329070000	1	Infeed cable <i>Cavo alimentazione</i>		150795	