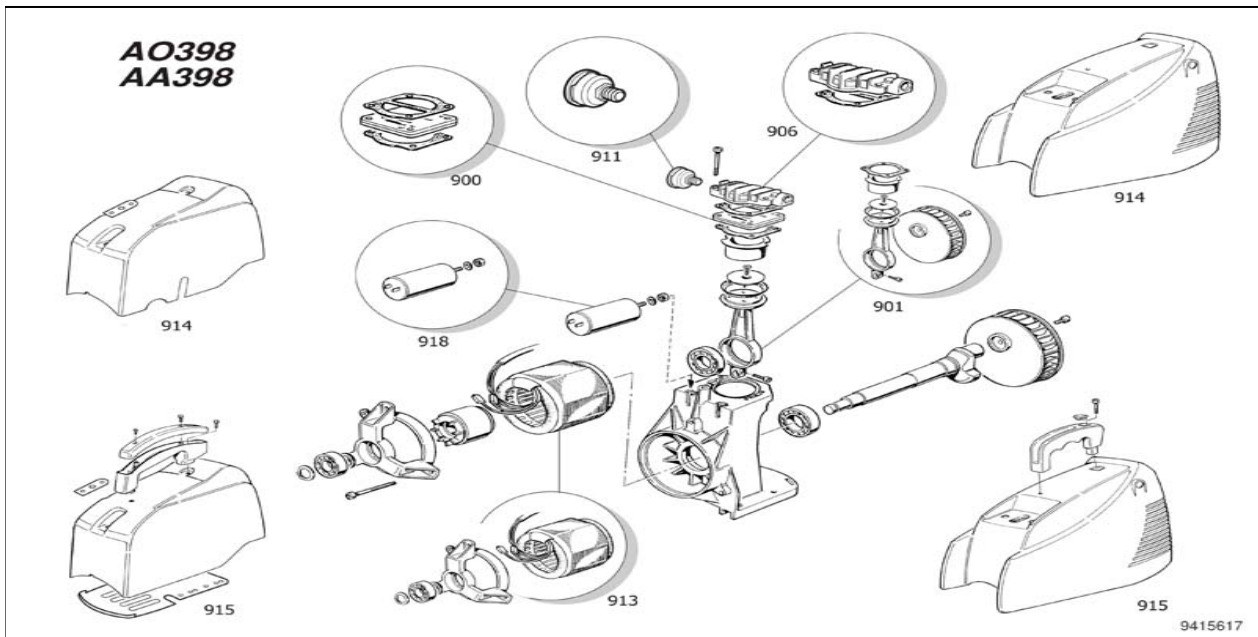


Paslode Proline 60 pump



Item	Code	Description	UM	ITW code
1	361101	CARTER MACHINED OL231 NEW	PZ	150896
2	931280	CYLINDER BARREL F0 D.60 OILLESS	PZ	150859
3	7161400	HEAD MACHINED F1/220	PZ	150860
4	361200	CRANKSHAFT OL231 H=70	PZ	150897
8	910110	CONROD/PISTON WASHED OILLESS	PZ	150898
16	9040012	SEAL OILLESS NEW (1,2)	PZ	150899
23	7181100	FILTER FOR HEAD F1/220	PZ	150900
30	9170085	BEARING 6205-2RS	PZ	151071
30	9170091	BEARING 6203 2Z	PZ	150863
30	9170097	BEARING 6005 2RS-SRI2 IKL	PZ	151070
41	610301	CONROD COVER OL200 NEW	PZ	151072
43	462200	SHIELD MACHINED OL200	PZ	151073
44	9011040	TIE ROD HE WITH/FLANGE M5X105	PZ	151074
45	9140160	SEEGER 17 UNI 7436 (1,5)	PZ	150862
46	9038129	FAN OILLESS 231	PZ	151076
47	9067370	ROTOR 55X22 H=70 HP2 V230	PZ	151077
48	9067369	STATOR HP2 2P V230/50 H=70	PZ	151080
49	831100D	PLASTIC COVER OM200/24-50L	PZ	
62	540300	GASKET VALV.PL-VALV.PL F1/OL20	PZ	151083
62	7350300	GASKET CYL-PLATE F1/300 T 0.8	PZ	151084
64	6750400	GASKET PLATE/HEAD	PZ	150858
80	9411130	CAPACITOR 25MF CE 450V M8 D55	PZ	151086
900	9429002	KIT VALVE PLATE OL 200/231/250	PZ	150856
901	9429012	KIT CONROD OL 231	PZ	150857
906	9429061	KIT HEAD OL 200/231/250	PZ	151089
911	9429110	KIT AIR FILTER OL 200/231/250	PZ	151099
913	9429132	KIT STATOR OL 231	PZ	151092
918	9429180	KIT START CAPACITOR 25MFD	PZ	150545